

# NEOPRENE-X-PANSION TERRAZZO TILE STRIPS



TTTSB 23x6 Brass/Grey Terrazzo Tile Strip

## Terrazzo Tile Strips FOR GRINDING AND POLISHING IN PLACE

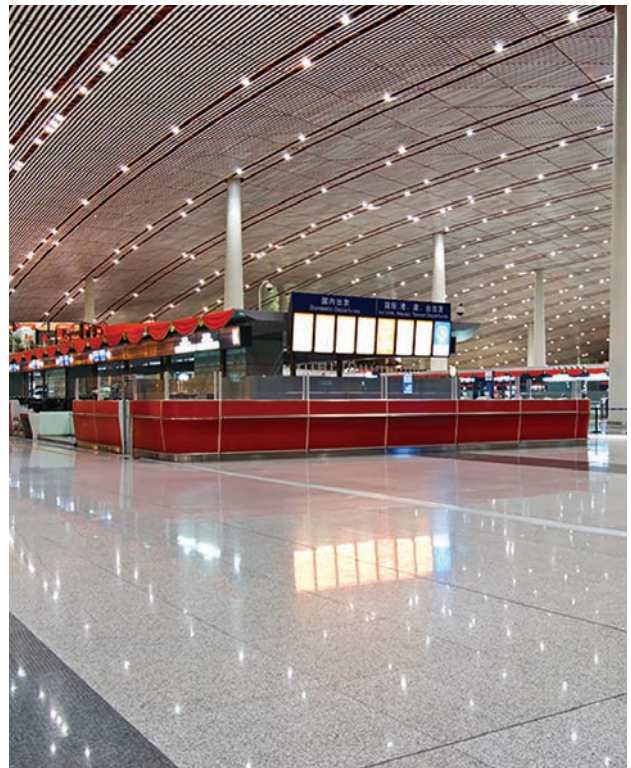
Latham Neoprene-X-Pansion Terrazzo Tiles Strips with 6mm and 12mm neoprene inserts and 1mm and 3mm Brass or Zinc folded side plates are designed to be used in applications where Terrazzo tiles are being used and are being ground insitu. The strips will accommodate up to 4mm of on-site grinding in the floor grinding application.

Latham Neoprene-X-Pansion Terrazzo Tile Strips with 6mm and 12mm neoprene inserts and 1mm and 3mm Brass or Zinc folded side plates are supplied in standard 1800mm lengths and should be installed so as to minimise the frequency of butt joints and short lengths. Also 3-way and 4-way butt joint intersections should be avoided (see page 54 for further details).

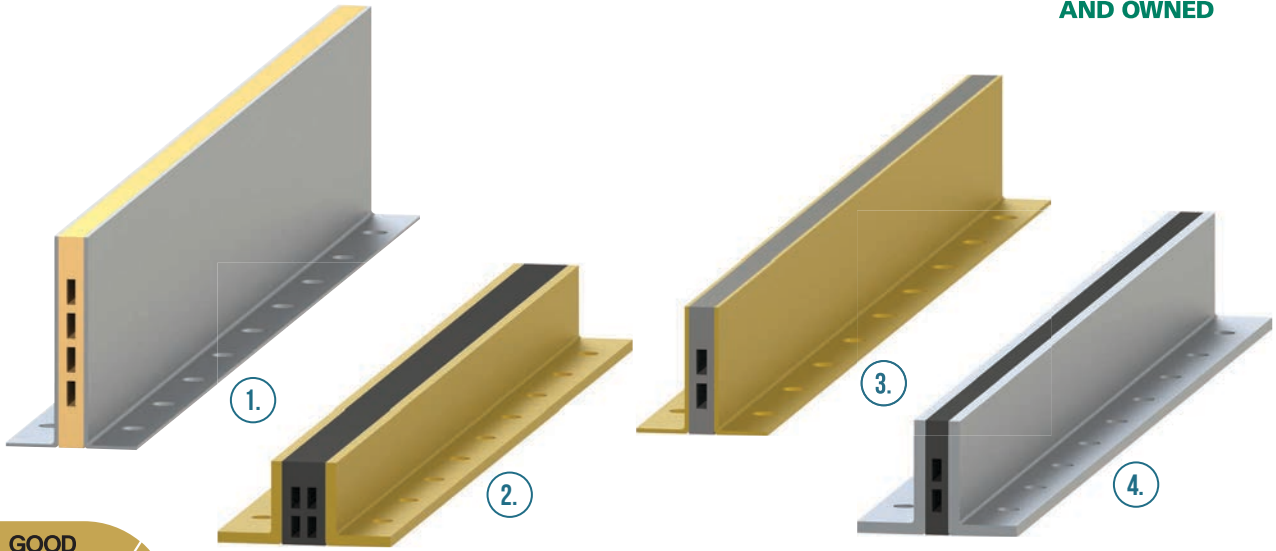
Latham Neoprene-X-Pansion Terrazzo Tile Strips should be installed in all locations of stress concentration; at changes in direction; wherever localised movement is anticipated and around rigid and fixed large objects such as columns, stair and lift wells, light posts, across driveways, at access covers, across

doorways and anywhere that may impede expansion and contraction of the floor finish.

For further information and specification details available, see page 55 or for full details visits our website [www.latham-australia.com](http://www.latham-australia.com).



# 6MM AND 12MM NEOPRENE INSERTS



1. TTTSZ 50X6 ZINC/BUFF
2. 3MM-TTTSB 23X12 BRASS/BLACK
3. TTTSB 30X6 BRASS/GREY
4. 3MM-TTTSZ 30X6 ZINC/BLACK

## GENERAL PRODUCT INFORMATION

- ▶ Supplied in standard lengths of 1800mm.
- ▶ Latham Neoprene-X-Pansion Terrazzo Tile Strips are designed to be used in applications where Terrazzo tiles are being used and are being ground insitu.
- ▶ Product profile illustrations approximately 50% full size.

## NEOPRENE-X-PANSION TERRAZZO TILE STRIPS FOR GRINDING AND POLISHING IN PLACE PROFILE GUIDE

Specify Neoprene Colour

Brass 1mm thick folded side plates	Zinc 1mm thick folded side plates	Overall Height	Zinc 3mm thick folded side plates	Zinc 3mm thick folded side plates	Overall Height
TTTSB-23 x 6	TTTSZ-23 x 6	23mm	3MM-TTTSB-23 x 6	3MM-TTTSZ-23 x 6	37mm
TTTSB-25 x 6	TTTSZ-25 x 6	25mm	3MM-TTTSB-25 x 6	3MM-TTTSZ-25 x 6	42mm
TTTSB-30 x 6	TTTSZ-30 x 6	30mm	3MM-TTTSB-30 x 6	3MM-TTTSZ-30 x 6	47mm
TTTSB-40 x 6	TTTSZ-40 x 6	40mm	3MM-TTTSB-40 x 6	3MM-TTTSZ-40 x 6	52mm
TTTSB-50 x 6	TTTSZ-50 x 6	50mm	3MM-TTTSB-50 x 6	3MM-TTTSZ-50 x 6	62mm
TTTSB-23 x 12	TTTSZ-23 x 12	20mm	3MM-TTTSB-23 x 12	3MM-TTTSZ-23 x 12	72mm
TTTSB-25 x 12	TTTSZ-25 x 12	22mm	3MM-TTTSB-25 x 12	3MM-TTTSZ-25 x 12	77mm
TTTSB-30 x 12	TTTSZ-30 x 12	25mm	3MM-TTTSB-30 x 12	3MM-TTTSZ-30 x 12	82mm
TTTSB-40 x 12	TTTSZ-40 x 12	27mm	3MM-TTTSB-40 x 12	3MM-TTTSZ-40 x 12	92mm
TTTSB-50 x 12	TTTSZ-50 x 12	32mm	3MM-TTTSB-50 x 12	3mm-TTTSZ-50 x 12	102mm

- ☞ Custom heights to accommodate custom floor finish thicknesses available on request.
- ☞ Some custom metal plate thicknesses available on request.
- ☞ Not available in Stainless Steel as its considered unsuitable for in place grinding and polishing.
- ☞ Material is recommended for grinding in place in the flooring to a depth of 4-5mm maximum.

## NEOPRENE INFILL COLOUR OPTIONS

- BU** Buff
- GR** Grey
- BL** Black

## METAL SIDE PLATE OPTIONS

- BR** Brass  
1mm & 3mm
- ZN** Zinc  
1mm & 3mm