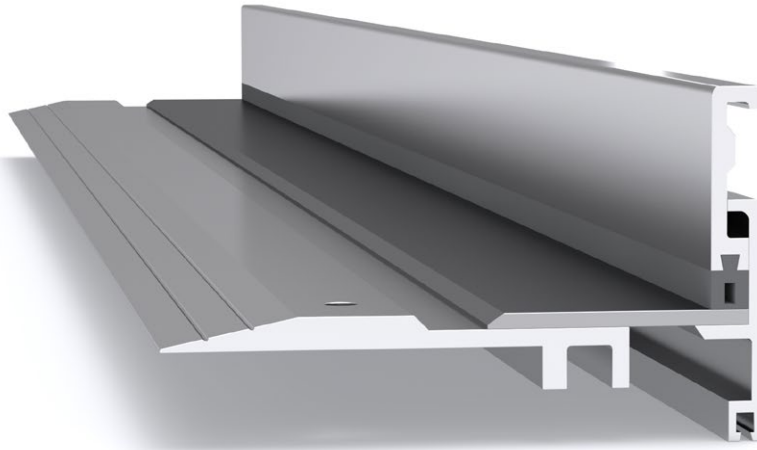
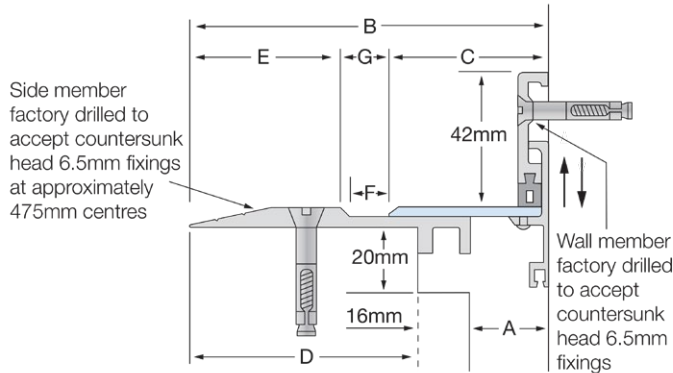


# Latham Surface-Line Series Aluminium Expansion Joint Cover with Stainless Steel Cover Plate GXSL



Illustrated: GXSL-25



Stainless Steel Code smooth deck	A	B	C	D	E	F	G	Movement	Total Available Movement	Overall Depth	Cover Plate Thickness
GXSL-25	25	113	50	72	45	15	18	+20/-15mm	35mm	Surface Mounted	3mm
GXSL-50	50	136	75	72	45	15	18	+20/-15mm	35mm	Surface Mounted	3mm
GXSL-75	75	163	100	72	45	15	18	+20/-15mm	35mm	Surface Mounted	3mm
GXSL-100	100	188	125	72	45	15	18	+20/-15mm	35mm	Surface Mounted	3mm
GXSL-150	150	238	175	72	45	15	18	+20/-15mm	35mm	Surface Mounted	4mm

## FEATURES

- Aluminium floor-to-wall expansion joint cover with a stainless steel cover plate.
- Designed to be purely surface mounted (provided joint width >62mm or a small recess is cut out).
- The tapered edge ensures minimal height difference, allowing pedestrian and small trolleys to pass over it.

## MATERIALS

- Aluminium 6063-T5 mill finish alloy.
- 304 Grade, 2B finish stainless steel cover plates.
- Supplied in 3050mm lengths.

## FIXINGS

- Side and wall members pre-drilled at ~475mm centres to accept countersunk head 6.5mm fixings.
- We recommend Latham Thixotropic Epoxy Adhesive be used in conjunction for superior securing.

## FURTHER TECHNICAL SPECIFICATIONS

- [Website Link - PDF and DWG Details](#)
- [Product Information](#)
- [Joint Specifications](#)
- [Fire Rated Systems](#)
- [Full Product Catalogue](#)
- [Architectural Specifications](#)
- [Warranty](#)



multi directional  
6-way movement



indoor use



fire rated (joint  
widths >50mm)