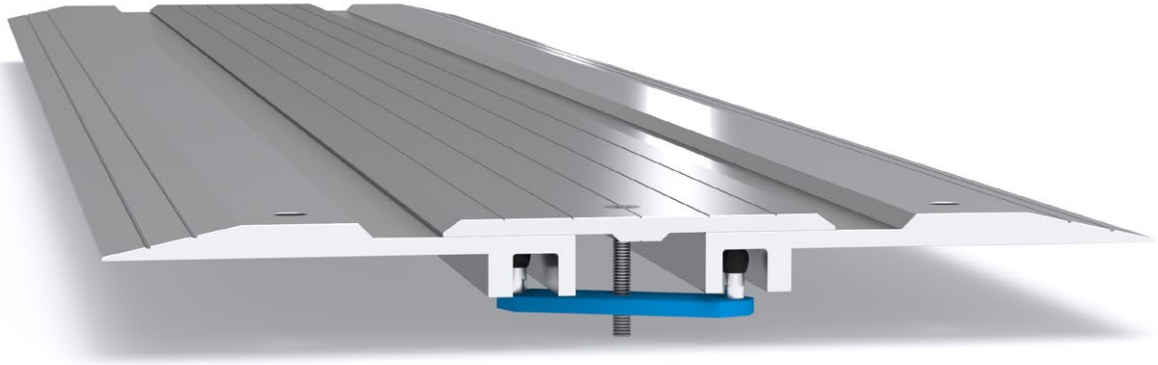
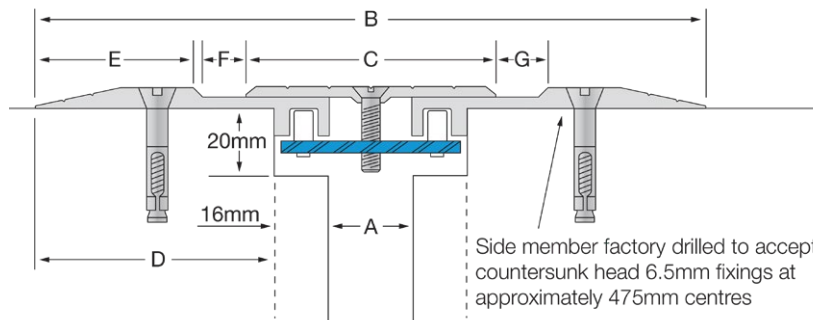


Latham Surface-Line Series Aluminium Expansion Joint Cover
GXA



Illustrated: GXA-25



Aluminium Code ribbed deck	A	B	C	D	E	F	G	Movement	Total Available Movement	Overall Depth	Cover Plate Thickness
GXA-25	25	201	75	72	45	15	18	+25/-15mm	40mm	Surface Mounted	3mm
GXA-50	50	226	100	72	45	15	18	+/-25mm	50mm	Surface Mounted	3mm
GXA-75	75	251	125	72	45	15	18	+/-25mm	50mm	Surface Mounted	4mm
GXA-100	100	276	150	72	45	15	18	+/-25mm	50mm	Surface Mounted	5mm
GXA-125	125	301	175	72	45	15	18	+/-25mm	50mm	Surface Mounted	5mm

FEATURES

- Aluminium floor expansion joint cover with a aluminium cover plate.
- Designed to be purely surface mounted (provided joint width >62mm or a small recess is cut out).
- The tapered edge ensures minimal height difference, allowing pedestrian and small trolleys to pass over it.

MATERIALS

- Aluminium 6063-T5 mill finish alloy.
- Supplied in 3050mm lengths.
- Spring steel treated centering bar with elongated spherical rods (at ~475mm centres).

FIXINGS

- Side members pre-drilled at ~475mm centres to accept countersunk head 6.5mm fixings.
- We recommend Latham Thixotropic Epoxy Adhesive be used in conjunction for superior securing.

FURTHER TECHNICAL SPECIFICATIONS

- [Website Link - PDF and DWG Details](#)
- [Product Information](#)
- [Joint Specifications](#)
- [Fire Rated Systems](#)
- [Full Product Catalogue](#)
- [Architectural Specifications](#)
- [Warranty](#)



multi directional
6-way movement



indoor use



fire rated (joint
widths >50mm)