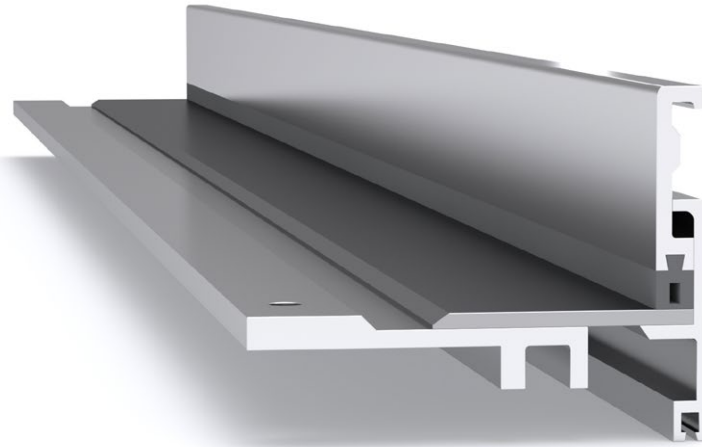
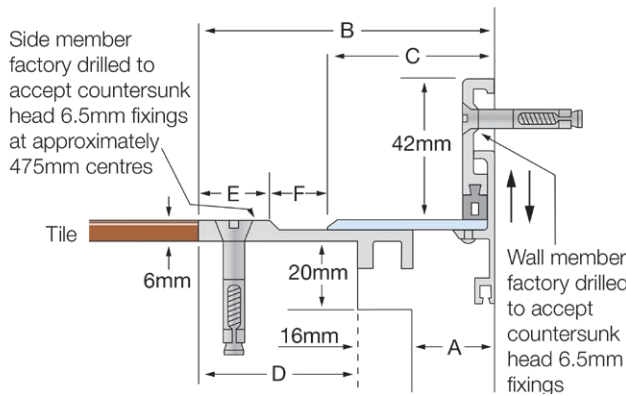


Latham Surface-Line Series Aluminium Expansion Joint Cover with Stainless Steel Cover Plate FXSL



Illustrated: FXSL-25



Stainless Steel Code smooth deck	A	B	C	D	E	F	Movement	Total Available Movement	Overall Depth	Cover Plate Thickness
FXSL-25	25	87	50	49	20	18	+20/-15mm	35mm	Surface Mounted	3mm
FXSL-50	50	112	75	49	20	18	+20/-15mm	35mm	Surface Mounted	3mm
FXSL-75	75	137	100	49	20	18	+20/-15mm	35mm	Surface Mounted	3mm
FXSL-100	100	162	125	49	20	18	+20/-15mm	35mm	Surface Mounted	3mm
FXSL-150	150	212	175	49	20	18	+20/-15mm	35mm	Surface Mounted	4mm

FEATURES

- Aluminium floor-to-wall expansion joint cover with a stainless steel cover plate.
- Designed to finish flush with the surrounding floor finish (can be suitably packed up to height if required).
- Installed into a minimal recess, or providing the joint width is 62mm or larger, the system can simply hang over the edge of the slabs and no recess is required.

MATERIALS

- Aluminium 6063-T5 mill finish alloy.
- 304 Grade, 2B finish stainless steel cover plates.
- Supplied in 3050mm lengths.

FIXINGS

- Side and wall members pre-drilled at ~475mm centres to accept countersunk head 6.5mm fixings.
- We recommend Latham Thixotropic Epoxy Adhesive be used in conjunction for superior securing.

FURTHER TECHNICAL SPECIFICATIONS

- [Website Link - PDF and DWG Details](#)
- [Product Information](#)
- [Joint Specifications](#)
- [Fire Rated Systems](#)
- [Full Product Catalogue](#)
- [Architectural Specifications](#)
- [Warranty](#)



multi directional
6-way movement



indoor use



fire rated (joint
widths >50mm)