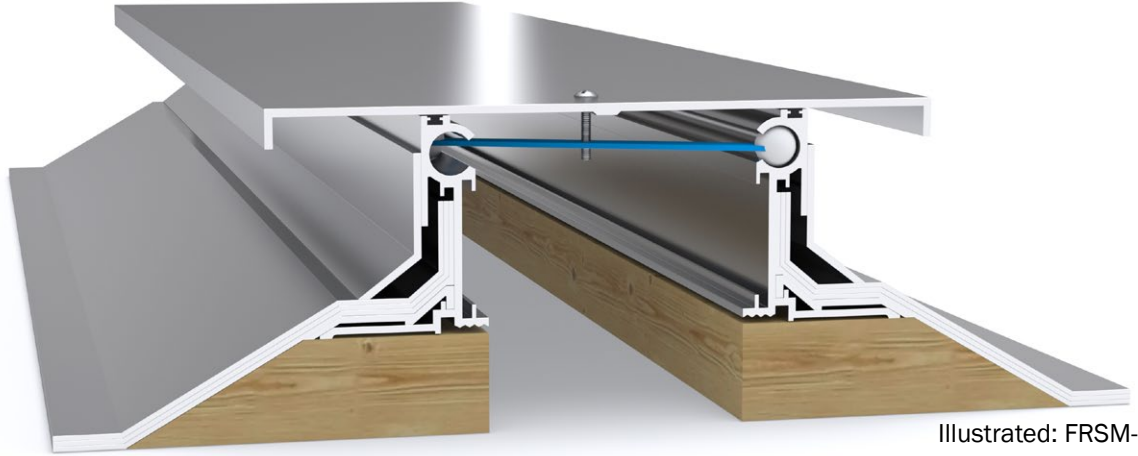
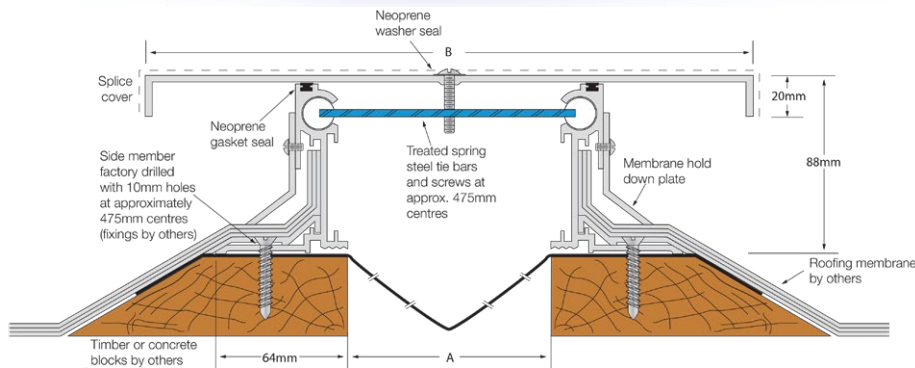


Latham Seismic Series Aluminium Expansion Joint Cover FRSM



Illustrated: FRSM-100



Aluminium Code	A	B	Movement	Total Available Movement	Cover Plate Thickness
FRSM-100	100	260	+100/-92mm	192mm	2.5mm
FRSM-150	150	360	+150/-142mm	292mm	2.5mm
FRSM-200	200	460	+200/-192mm	392mm	2.5mm
FRSM-250	250	560	+250/-242mm	492mm	2.5mm
FRSM-300	300	660	+300/-292mm	592mm	2.5mm
FRSM-400	400	860	+400/-392mm	792mm	3mm
FRSM-500	500	1060	+500/-492mm	992mm	3mm
FRSM-600	600	1260	+600/-592mm	1192mm	3mm

FEATURES

- Aluminium roof expansion joint cover accommodating both thermal and seismic movement.
- Designed to be surface mounted on slabs or hobs.
- Comes with standard water/wind barrier, top seal gaskets and 1 splice plate per full length for installation over the junction between 2 plates.

10mm fasteners.

- Membrane hold down clips are supplied for installation at ~500mm centres.
- End Closures, Transition Splices, Corners and Tees should be considered for roof joints. (Contact a Latham representative for more information)

MATERIALS

- Aluminium 6063-T5 mill finish alloy.
- Supplied in 3050mm lengths.
- Spring steel treated centering bar with nylon spherical balls (at ~475mm centres).

FIXINGS

- Side member pre-drilled at ~475mm centres for

FURTHER TECHNICAL SPECIFICATIONS

- [Website Link - PDF and DWG Details](#)
- [Product Information](#)
- [Joint Specifications](#)
- [Fire Rated Systems](#)
- [Full Product Catalogue](#)
- [Architectural Specifications](#)
- [Warranty](#)



multi directional
6-way movement



outdoor use



BFG water
gutter



fire rated (joint
widths >50mm)



seismic
movement

w www.latham-australia.com
e sales@latham-australia.com
p +612 9879 7888