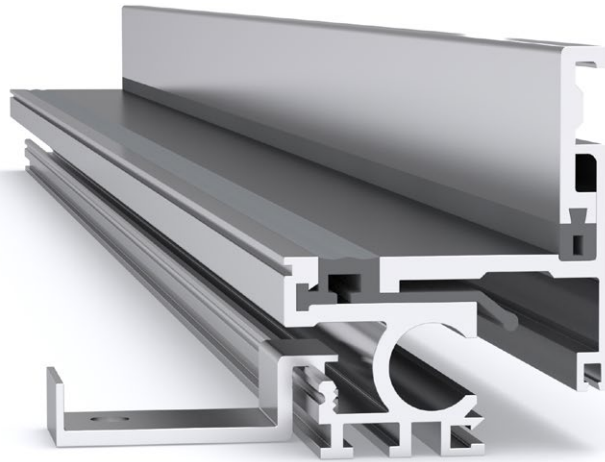
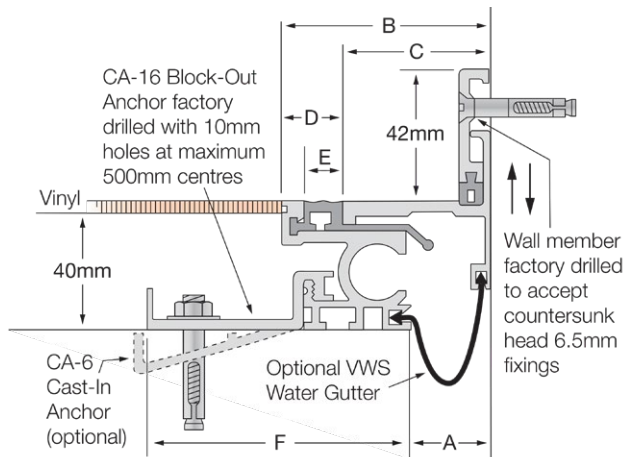


Latham Flat-Line Series Aluminium Expansion Joint Cover
CL-25



Illustrated: CL-25



Aluminium Code smooth deck	A	B	C	D	E	F	Movement	Total Available Movement	Overall Depth
CL-25	25	64	48	18	12	82	+/-4mm	4mm	40mm

FEATURES

- Aluminium floor-to-wall expansion joint cover.
- Pedestrian applications where even the slightest bump in a floor can not be tolerated.
- Robust system suited to pedestrian applications.
- 40mm depth below floor finish.
- 42mm vertical depth up the wall, above floor finish.
- Installed in a preformed recess or cast-in.

MATERIALS

- Aluminium 6063-T5 mill finish alloy.
- Extruded vinyl inserts.
- Supplied in 3050mm lengths.

FIXINGS

- Supplied with clip-on CA-16 Block-Out Anchors (10mm holes pre-drilled) installed at ~500mm centres.
- On request: CA-6 Cast-In Anchors can be supplied.
- Wall member pre-drilled at ~475mm centres to accept countersunk head 6.5mm fixings.

FURTHER TECHNICAL SPECIFICATIONS

- [Website Link - PDF and DWG Details](#)
- [Product Information](#)
- [Joint Specifications](#)
- [Fire Rated Systems](#)
- [Full Product Catalogue](#)
- [Architectural Specifications](#)
- [Warranty](#)



multi directional
6-way movement



indoor use



VWS water
gutter