

Roof Details

LATHAM AUSTRALIA PTY LTD
 14 TENNYSON ROAD GLADESVILLE 2111 AUSTRALIA
 Phone: 61 2 9879 7888 Fax: 61 2 9879 7666
 Web: www.latham-australia.com

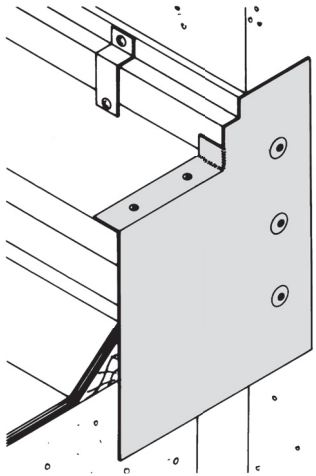


All dimensions are to be verified before construction

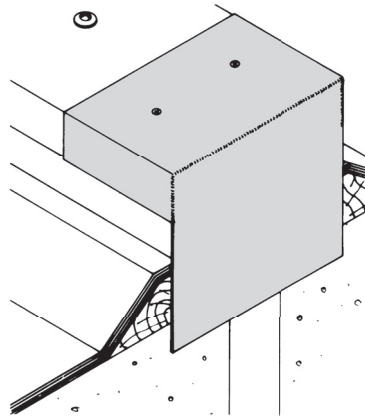
Verified By..... Date.....

End Closures – Transition Splices – Corners – Tees ■ Aluminium

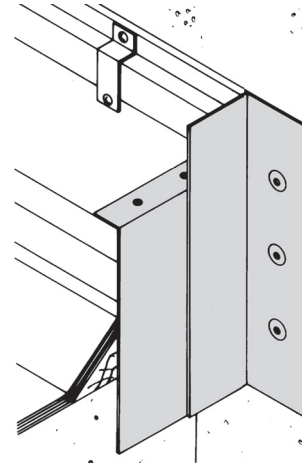
Maintenance free expansion joint cover systems for roofs & parapets



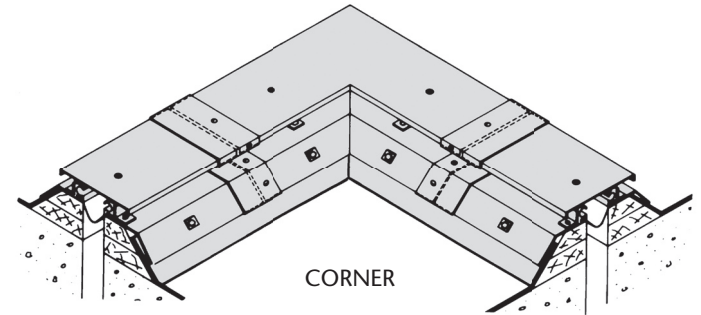
END CLOSURE WALL TERMINATES



END CLOSURE FLAT ROOF E.J.C.

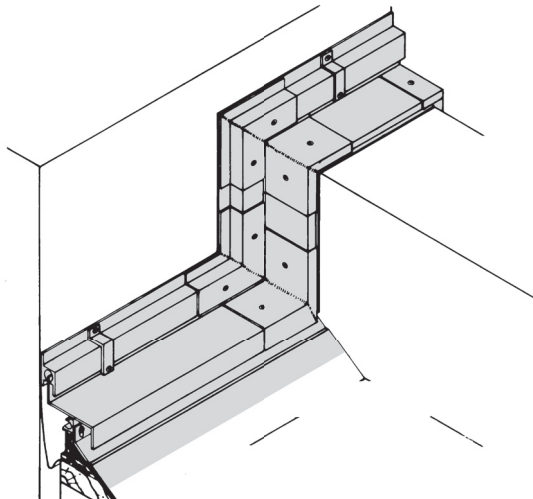


END CLOSURE WALL CONTINUES

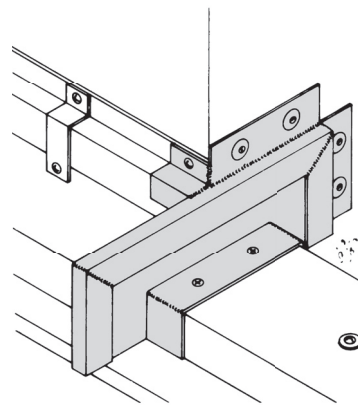


CORNER

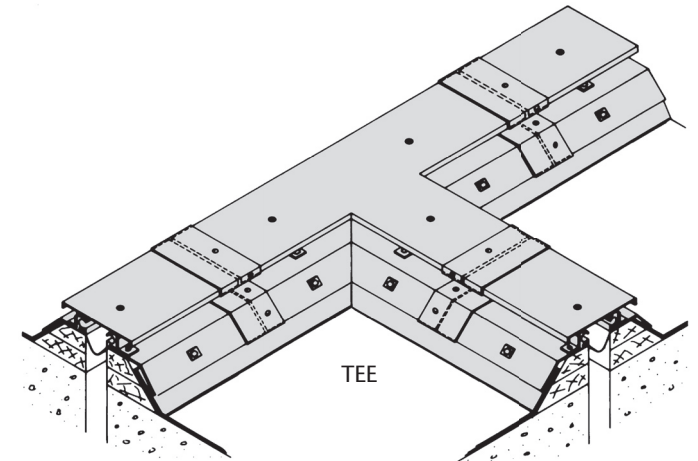
Factory fabricated for effective performance



SPECIAL CONDITION
 SHOWING FLAT ROOF E.J.C.
 EXTENDING OVER PARAPET



TRANSITION SPICE COVER
 WHERE ROOF TO WALL E.J.C.
 MEETS FLAT ROOF E.J.C.



TEE

All mechanical expansion joint fixings by others.
 Design subject to change without notice

COPYRIGHT © 2004