

ABL Brass Flat-Line Series - No Bump Visual

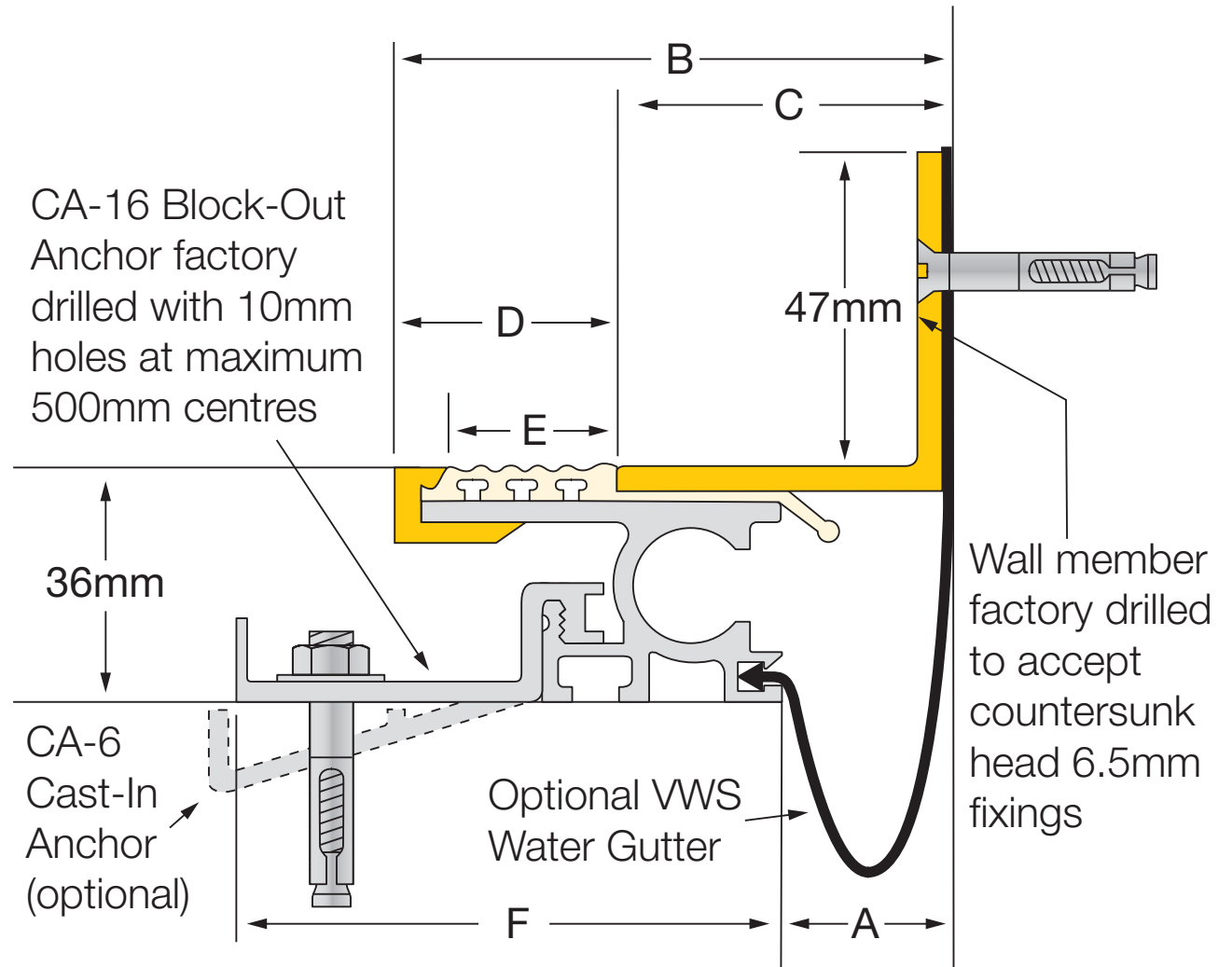
Flexible Expansion Joint Cover

LATHAM AUSTRALIA PTY LTD
 14 TENNYSON ROAD GLADESVILLE 2111 AUSTRALIA
 Phone: 61 2 9879 7888 Fax: 61 2 9879 7666
 Web: www.latham-australia.com



Illustrated: ABL-25 Scale: Approx. Full Size
 All dimensions are to be verified before construction

Verified By..... Date.....



Solid Brass Code	A	B	C	D	E	F	Movement	Total Available Movement	Overall Depth
ABL-25	25	64	46	18	25	82	+/-3mm	6mm	36mm
ABL-50	50	166	100	33	25	82	+/-3mm	6mm	36mm
ABL-75	75	191	125	33	25	82	+/-3mm	6mm	36mm
ABL-100	100	216	150	33	25	82	+/-3mm	6mm	36mm
ABL-150	150	266	200	33	25	82	+/-3mm	6mm	36mm

All dimensions are in millimetres.

Interior use only.
 All mechanical expansion joint fixings by others.
 Brass embedded members with specified cover plate.
 Design subject to change without notice.

COPYRIGHT © 2009

LATH3513