

# MOULDED RUBBER GUARDS

## DOCK BUMPERS

### MOULDED Prestige Light Duty Areas

#### Features

- Makes for a clean, neat, attractive dock area
- Moulded in one piece of all new rubber compound
- Won't warp, rust or rot
- Compact size

#### Benefits

- Unique design and construction
- Immune to weather conditions
- Contains the correct amount of resiliency to absorb pressure and impact shock without damage to truck or dock

#### Material/Thickness

- Manufactured from fibre reinforced prime rubber containing nylon and polyester
- 100mm thick
- All bumpers have a durometer reading of  $80\pm 5$
- Pre-drilled, countersunk mounting holes for easy installation, and are drilled to accept 18mm anchor bolts

#### Installation

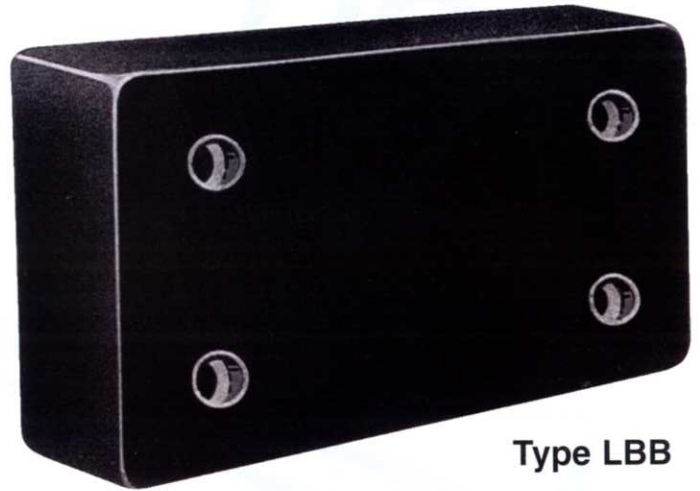
- Installation is easy — 18mm fixings are mounted through pre-drilled holes into dock

#### Uses/Applications

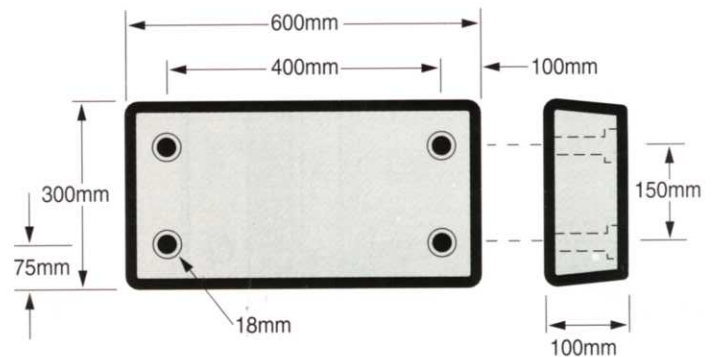
- Dock protection

#### Specifications

- Furnish and install Moulded Rubber Dock Bumper Type LBB manufactured by Latham Australia, 14 Tennyson Road, Gladesville, NSW 2111. Ph: (02) 9879 7888 Fax: (02) 9879 7666. Model No.(s) \_\_\_\_\_ Moulded in one piece of nylon and polyester reinforced rubber.
- Bumper to have a durometer reading of  $80\pm 5$
- Weight — 17kg



Type LBB



# EXTRUDED RUBBER GUARDS

## Material/Thickness

- Made of EPDM extruded rubber for medium and heavy duty protection
- Standard length triangular guards are 4 metres
- Type DR and DH available with steel mounting bar (optional extra)
- Type DF, DM, DR, DS standard colour black
- DS also available in white.
- Custom colours are available on request for production runs.

## Installation

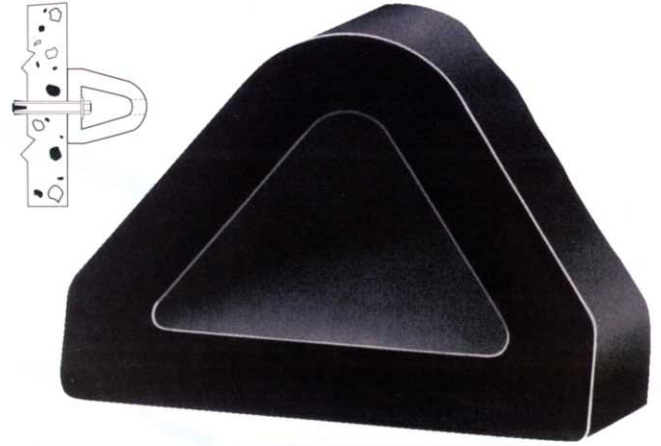
- Anchor bolts and Latham Titazel Thixotropic Resin Adhesive over pre-drilled mounting holes into dock factory drilling rubber for fixing (optional extra) continuous loose steel flat bar for superior mounting (optional extra)

## Uses/Applications

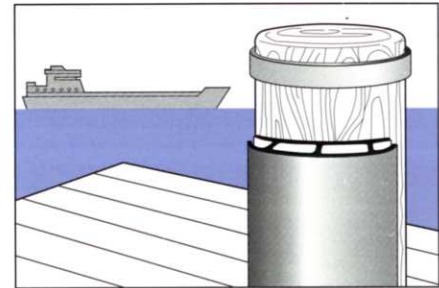
- Appropriate for outdoor or indoor protection
- For commercial loading docks, parking garages, truck fenders and marinas
- For vehicles – trucks, trailers and heavy duty construction equipment
- Rub rails at the sides of truck walls
- In-plant wall protection from fork-lifts and other material handling vehicles

## Specifications

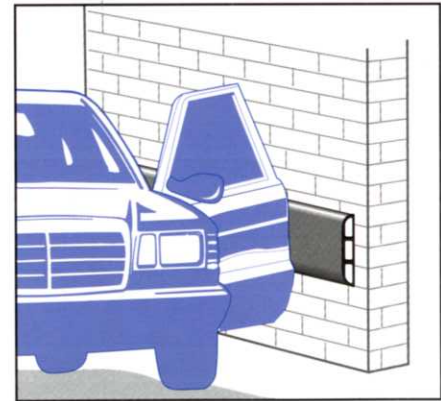
- Supply and install Extruded Rubber Dock Bumpers consisting of EPDM rubber by Latham Australia, 14 Tennyson Road, Gladesville, NSW 2111. Ph: (02) 9879 7888 Fax: (02) 9879 7666. Model No.(s)



Type	H x W
DH	85 x 110
DR	60 x 80
DM	35 x 55
DS	20 x 25
DF	30 x 175



VESSEL PROTECTION



DOOR PROTECTION

## Marine Dock and Parking Garage Flat Strip Guards

### Uses/Applications

- Appropriate for outdoor or indoor protection
- For commercial loading docks, parking garages, and marinas, boats and vessel protection
- Standard colour black.

**Type DF**  
**30H x 175W**

